

BEST AVAILABLE COPY

10/005083

1/3

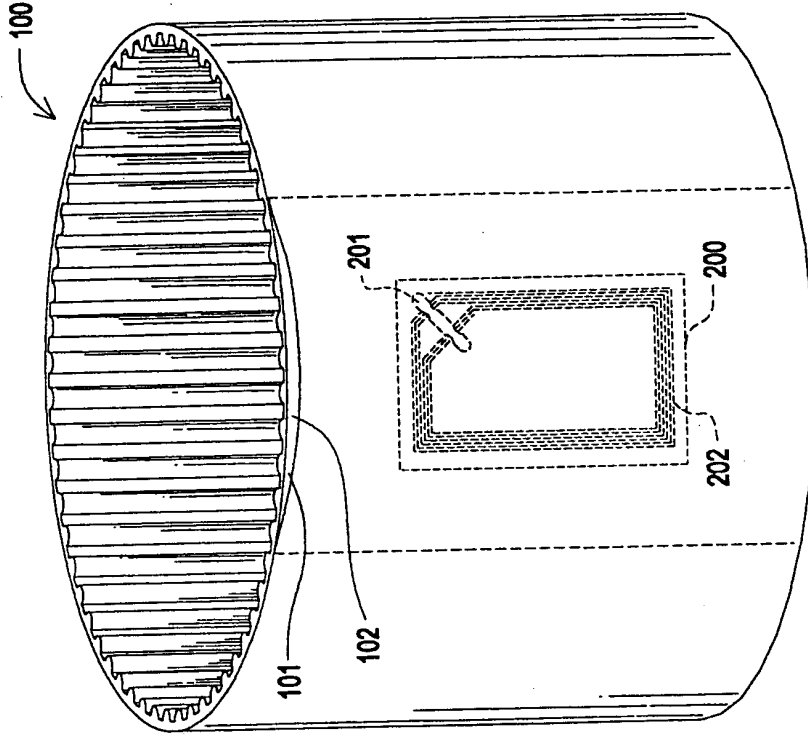


FIG.1

1/3

10/005083

+

+

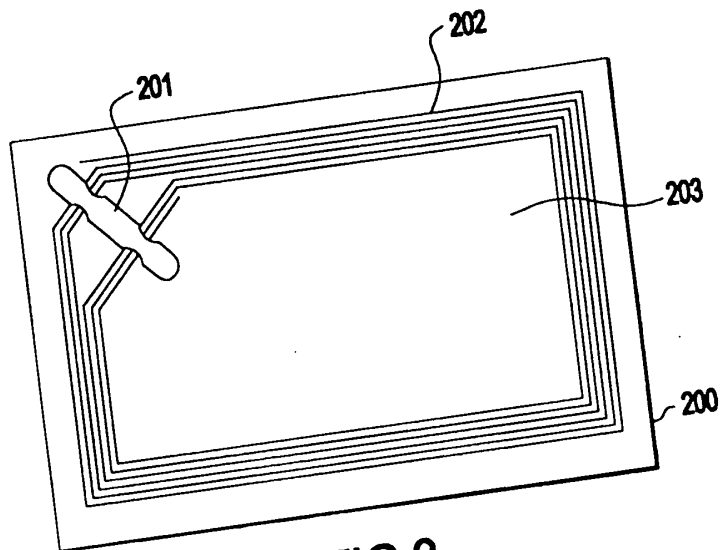


FIG. 2

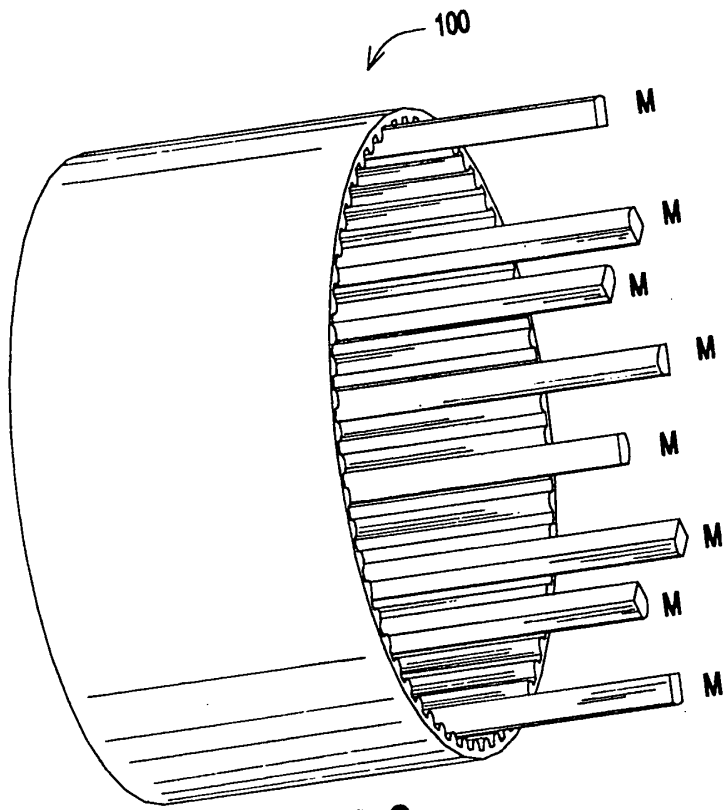


FIG. 3

10055001 2805001

+

+

+

3/3

3/3

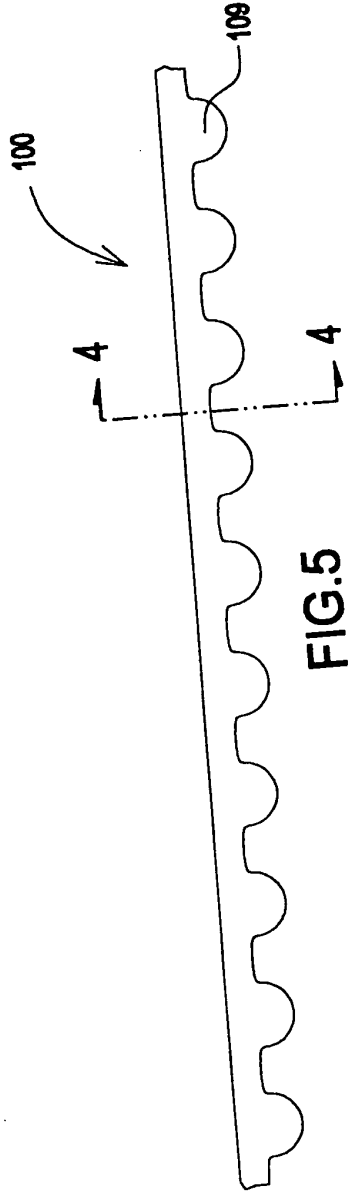


FIG. 5

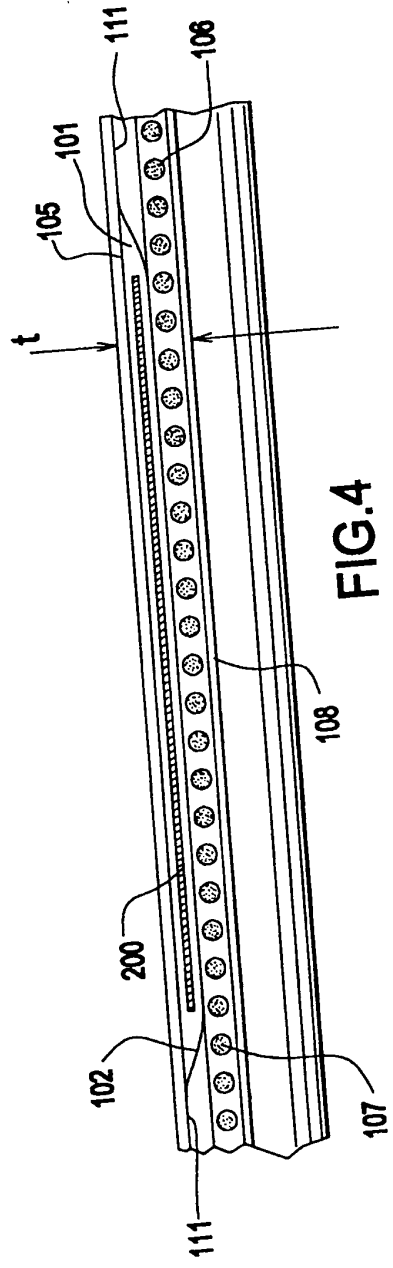


FIG. 4

+